

2.4GHz 2.45GHz Chip Antenna: AAN5320H1R2G45

Application:

WLAN, 802.11b/g, Bluetooth, etc...



Features

SMD, high reliability, ultra Impact, Omni-directional...

Part number

AAN 5320 H1 R 2G45
 (1) (2) (3) (4) (5)

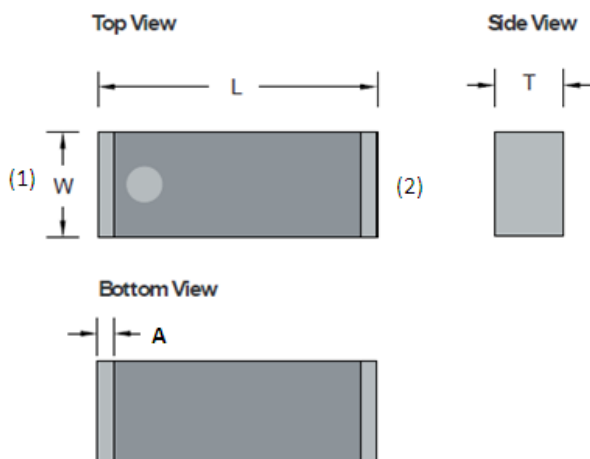
(1) Product Type	Chip Antenna
(2) Size Code	5.3x2.0mm
(3) Type Code	H1
(4) Packing	Tape and reel
(5) Frequency	2.45GHz

Electrical Specification

Working Frequency Range	2400 ~2484 MHz
Peak Gain	5.22 dBi (Typ.)
Impedance	50 Ohm
Return loss	10 dB (Min)
Polarization	Linear
Azimuth Beamwidth	Omni-directional
Operation Temperature(°C)	-40 ~85°C

The specification is defined on EVB.

Dimension and Terminal Configuration



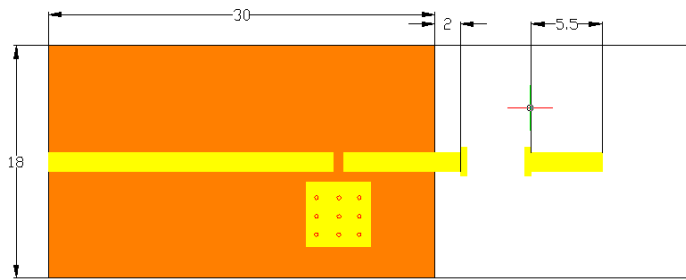
Dimension (mm)	
L	5.30+-0.20
W	2.00+-0.20
T	1.30+-0.20
A	0.30+-0.20

No.	Terminal Name
1	Feeding
2	Soldering

2.4GHz 2.45GHz Chip Antenna: AAN5320H1R2G45

Evaluation Board Reference

PCB Dimension & Antenna Layout Reference

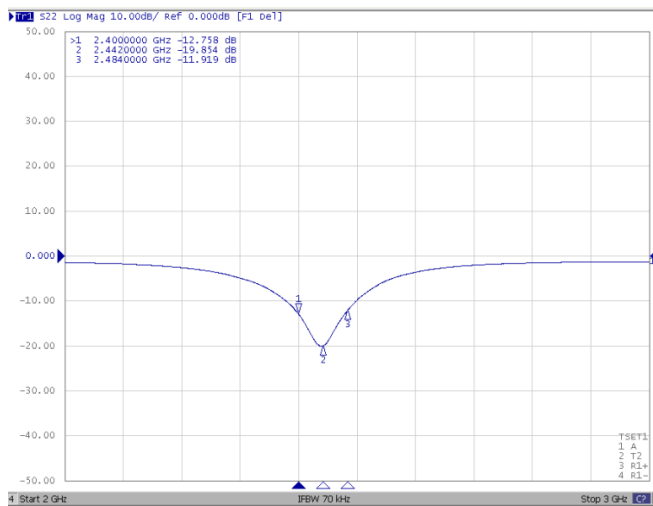


unit :mm

Electrical Characteristics

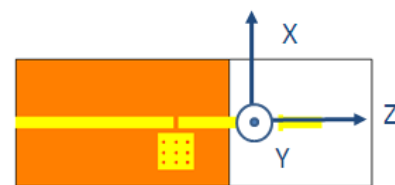
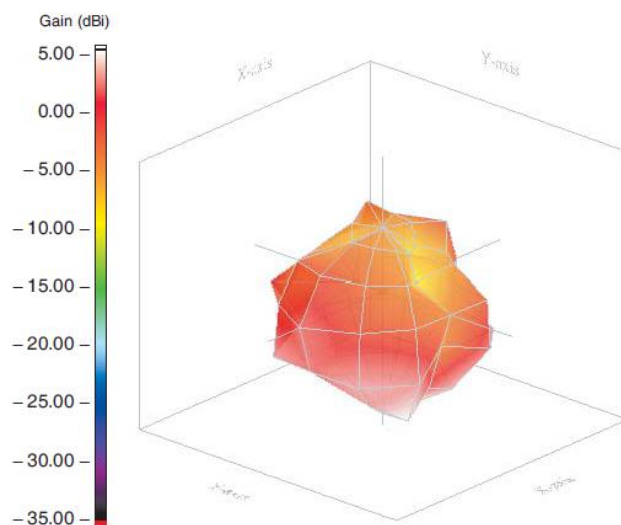
Return Loss & Radiation

Return Loss



Frequency (MHz)	S11 (dB)
2400	-12.8
2442	-19.8
2484	-11.9

Radiation



2.45GHz

Frequency	245MHz
Peak gain	5.22 dBi
Efficiency	76.3%

2.4GHz 2.45HHz Chip Antenna: AAN5320H1R2G45

Taping Specifications

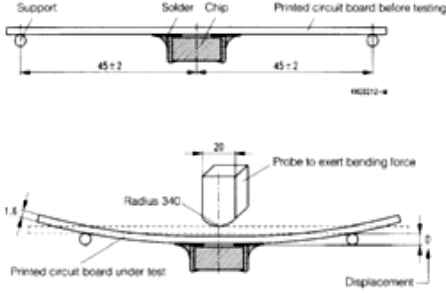
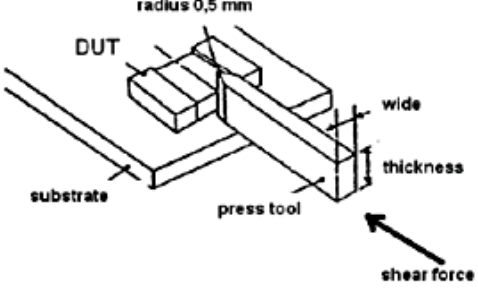
Reel	Taping Blister Tape																																															
<table border="1"> <thead> <tr> <th>Checking note</th> <th>Index</th> <th>Spec (mm)</th> </tr> </thead> <tbody> <tr> <td>Internal diameter of reel</td> <td>A</td> <td>60.20 ± 0.50</td> </tr> <tr> <td>External diameter of reel</td> <td>B</td> <td>178 ± 1.00</td> </tr> </tbody> </table>	Checking note	Index	Spec (mm)	Internal diameter of reel	A	60.20 ± 0.50	External diameter of reel	B	178 ± 1.00	<table border="1"> <thead> <tr> <th>Checking note</th> <th>Index</th> <th>Spec (mm)</th> </tr> </thead> <tbody> <tr> <td>Sprocket hole</td> <td>D0</td> <td>1.50 +0.10/-0.00</td> </tr> <tr> <td>Distance sprocket hole to outside</td> <td>E1</td> <td>1.75 ± 0.10</td> </tr> <tr> <td>Distance sprocket hole to pocket</td> <td>F</td> <td>5.50 ± 0.05</td> </tr> <tr> <td>Distance sprocket hole to sprocket hole</td> <td>P0</td> <td>4.00 ± 0.10</td> </tr> <tr> <td>Distance pocket to pocket</td> <td>P1</td> <td>4.00 ± 0.10</td> </tr> <tr> <td>Distance sprocket hole to pocket</td> <td>P2</td> <td>2.00 ± 0.05</td> </tr> <tr> <td>Tape width</td> <td>W</td> <td>12.00 +0.30/-0.10</td> </tr> <tr> <td>Pocket width nominal clearance</td> <td>A0</td> <td>2.28 ± 0.13</td> </tr> <tr> <td>Pocket length nominal clearance</td> <td>B0</td> <td>5.70 ± 0.13</td> </tr> <tr> <td>Pocket depth minimum clearance</td> <td>K0</td> <td>1.58 ± 0.10</td> </tr> <tr> <td>Thickness of tape</td> <td>T</td> <td>0.23 ± 0.02</td> </tr> </tbody> </table>			Checking note	Index	Spec (mm)	Sprocket hole	D0	1.50 +0.10/-0.00	Distance sprocket hole to outside	E1	1.75 ± 0.10	Distance sprocket hole to pocket	F	5.50 ± 0.05	Distance sprocket hole to sprocket hole	P0	4.00 ± 0.10	Distance pocket to pocket	P1	4.00 ± 0.10	Distance sprocket hole to pocket	P2	2.00 ± 0.05	Tape width	W	12.00 +0.30/-0.10	Pocket width nominal clearance	A0	2.28 ± 0.13	Pocket length nominal clearance	B0	5.70 ± 0.13	Pocket depth minimum clearance	K0	1.58 ± 0.10	Thickness of tape	T	0.23 ± 0.02
Checking note	Index	Spec (mm)																																														
Internal diameter of reel	A	60.20 ± 0.50																																														
External diameter of reel	B	178 ± 1.00																																														
Checking note	Index	Spec (mm)																																														
Sprocket hole	D0	1.50 +0.10/-0.00																																														
Distance sprocket hole to outside	E1	1.75 ± 0.10																																														
Distance sprocket hole to pocket	F	5.50 ± 0.05																																														
Distance sprocket hole to sprocket hole	P0	4.00 ± 0.10																																														
Distance pocket to pocket	P1	4.00 ± 0.10																																														
Distance sprocket hole to pocket	P2	2.00 ± 0.05																																														
Tape width	W	12.00 +0.30/-0.10																																														
Pocket width nominal clearance	A0	2.28 ± 0.13																																														
Pocket length nominal clearance	B0	5.70 ± 0.13																																														
Pocket depth minimum clearance	K0	1.58 ± 0.10																																														
Thickness of tape	T	0.23 ± 0.02																																														
<table border="1"> <tbody> <tr> <td>Quantity/per reel</td> <td>2000 pcs</td> </tr> <tr> <td>Tape material</td> <td>Plastic (embossed)</td> </tr> </tbody> </table>	Quantity/per reel	2000 pcs	Tape material	Plastic (embossed)																																												
Quantity/per reel	2000 pcs																																															
Tape material	Plastic (embossed)																																															

2.4GHz 2.45GHz Chip Antenna: AAN5320H1R2G45

Reliability Table

Test Item	Procedure	Requirements Ceramic Type	Remark (Reference)
Electrical Characterization		Fulfill the electrical specification	User Spec.
Thermal Shock	1. Preconditioning: $50 \pm 10^{\circ}\text{C}$ / 1 hr , then keep for 24 ± 1 hrs at room temp. 2. Initial measure: Spec: refer Initial spec. 3. Rapid change of temperature test: -30°C to $+85^{\circ}\text{C}$; 100 cycles; 15 minutes at Lower category temperature; 15 minutes at Upper category temperature.	No Visible Damage. Fulfill the electrical specification.	MIL-STD-202 107
Temperature Cycling	1. Initial measure: Spec: refer Initial spec. 2. 100 Cycles (-30°C to $+85^{\circ}\text{C}$), Soak Mode=1 (2 Cycle/hours). 3. Measurement at 24 ± 2 Hours after test condition.	No Visible Damage. Fulfill the electrical specification.	JESD22 JA104
High Temperature Exposure	1. Initial measure: Spec: refer Initial spec. 2. Unpowered; 500hours @ $T=+85^{\circ}\text{C}$. 3. Measurement at 24 ± 2 hours after test.	No Visible Damage. Fulfill the electrical specification.	MIL-STD-202 108
Low Temperature Storage	1. Initial measure: Spec: refer Initial spec. 2. Unpowered: 500hours @ $T=-30^{\circ}\text{C}$. 3. Measurement at 24 ± 2 hours after test.	No Visible Damage. Fulfill the electrical specification.	MIL-STD-202 108
Solderability (SMD Bottom Side)	Dipping method: a. Temperature: $235 \pm 5^{\circ}\text{C}$ b. Dipping time: $3 \pm 0.5\text{s}$	The solder should cover over 95% of the critical area of bottom side.	IEC 60384-21/22 4.10
Soldering Heat Resistance (RSH)	Preheating temperature: $150 \pm 10^{\circ}\text{C}$. Preheating time: 1~2 min. Solder temperature: $260 \pm 5^{\circ}\text{C}$. Dipping time: $5 \pm 0.5\text{s}$	No Visible Damage.	IEC 60384-21/22 4.10
Vibration	5g's for 20 min., 12 cycles each of 3 orientations Note: Use 8"X5" PCB .031" thick 7 secure points on, one long side and 2 secure points at corners of opposite sides. Parts mounted within 2" from any secure point. Test from 10-2000 Hz.	No Visible Damage.	MIL-STD-202 Method 204
Mechanical Shock	Three shocks in each direction shall be applied along the three mutually perpendicular axes of the test specimen (18 shocks) Peak value: 1,500g's Duration: 0.5ms Velocity change: 15.4 ft/s Waveform: Half-sine	No Visible Damage.	MIL-STD-202 Method 213
Humidity Bias	1. Humidity: 85% R.H., Temperature: $85 \pm 2^{\circ}\text{C}$. 2. Time: 500 ± 24 hours. 3. Measurement at 24 ± 2 hrs after test condition.	No Visible Damage. Fulfill the electrical specification.	MIL-STD-202 Method 106

2.4GHz 2.45HHz Chip Antenna: AAN5320H1R2G45

Board Flex (SMD)	<p>1. Mounting method: IR-Reflow. PCB Size (L:100 × W:40 × T:1.6mm)</p> <p>2. Apply the load in direction of the arrow until bending reaches 2 mm.</p> 	No Visible Damage.	AEC-Q200 005
Adhesion	<p>Force of 1.8Kg for 60 seconds.</p> 	No Visible Damage Magnification of 20X or greater may be employed for inspection of the mechanical integrity of the device body terminals and body/terminal junction.	AEC-Q200 006
Physical Dimension	<p>Any applicable method using x10 magnification, micrometers, calipers, gauges, contour projectors, or other measuring equipment, capable of determining the actual specimen dimensions.</p>	In accordance with specification.	JESD22 JB100

Revision History

Revision	Date	Content
1	2015/7/20	New issue